



Pony Express Memorial Cemetery

Cemetery Address: 4648 N Eagle Mountain Blvd, Eagle Mountain, UT 84005

Business Office: 1650 E Stagecoach Run, Eagle Mountain, UT 84005

801.789.6610 • fkfoed@emcity.org • jbates@emcity.org • ljohnson@emcity.org

Spaces. Residents and nonresidents may purchase spaces in the cemetery for the price listed in the current consolidated fee schedule. There is a \$50 transfer fee per space; if transferring from a resident to a nonresident, the additional cemetery space cost must be paid. Individuals may purchase up to eight spaces. The purchase price includes perpetual care and maintenance.

Angel Garden. The Angel Garden is available for minors. Only flat markers are allowed in the Angel Garden.

Caskets/Coffins. All bodies, remains, or other items buried with the body must be in a casket, coffin, or urn. All caskets, coffins, or urns must be enclosed in a concrete vault that is acceptable to the City.

Headstones, Tombstones, and Markers – Base/Border. All headstones, markers, and monuments shall have a stone or cement base/border, level with the ground, extending six inches on all sides, with a minimum thickness of four inches.

Headstones, Tombstones, and Markers - Materials. All headstones, markers, and monuments must be made of real bronze, glazed granite, or other permanent material acceptable to the City. The material shall not be any that is susceptible to decay.

Single Raised Headstones. Single raised headstones shall not exceed 48 inches in width (side to side), 48 inches in height, nor 24 inches in length, including the base.

Double Raised Headstones. Double raised headstones shall not exceed 76 inches in width (side to side), 48 inches in height, nor 24 inches in length, including the base.

Flat Markers. Flat markers shall not be smaller than 12 inches by 18 inches, not including the base, and not larger than 24 inches by 36 inches, not including the base.

Vases. All permanent vases placed in the cement or stone base of the marker or monument shall be recessed to ground level when not in use. Vases within the monument itself are allowed, provided they do not project horizontally beyond the base of the monument.

Decorations. Any grave decorations, funeral designs, flowers, or other items are subject to removal for maintenance. Grave decorations are to be placed only in an existing receptacle or on a grave marker/headstone. No glass, porcelain or other breakable containers/decorations are allowed.

Fees (as of June 1, 2020).

Burial Space: Resident – \$550; Nonresident – \$1,000; Transfer Fee – \$50 per certificate.

Angel Garden Space: Resident – \$275; Nonresident – \$500.

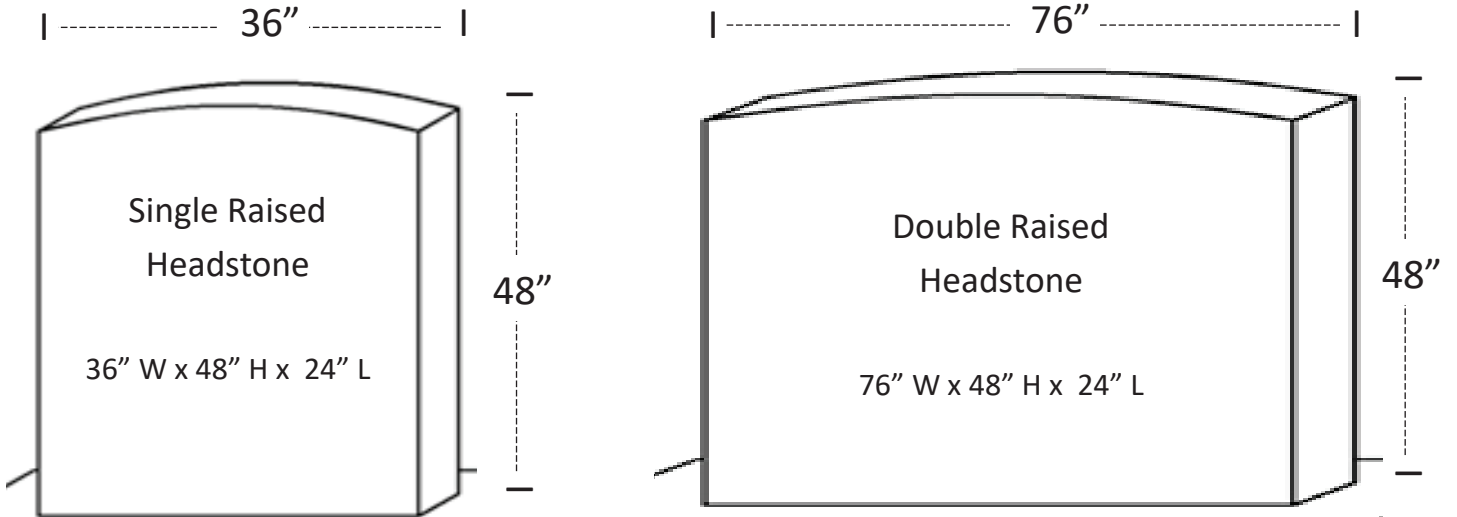
Interment: Adult – \$300; Child or Cremation – \$200; There is an additional \$300 fee for weekend or holiday interments.

Headstone Inspection: \$35

Headstone Specifications

Headstones must be installed by a professional installer. Please have the monument company contact the Eagle Mountain City Recorder's Office at 801.789.6611. A \$35 headstone inspection fee is required.

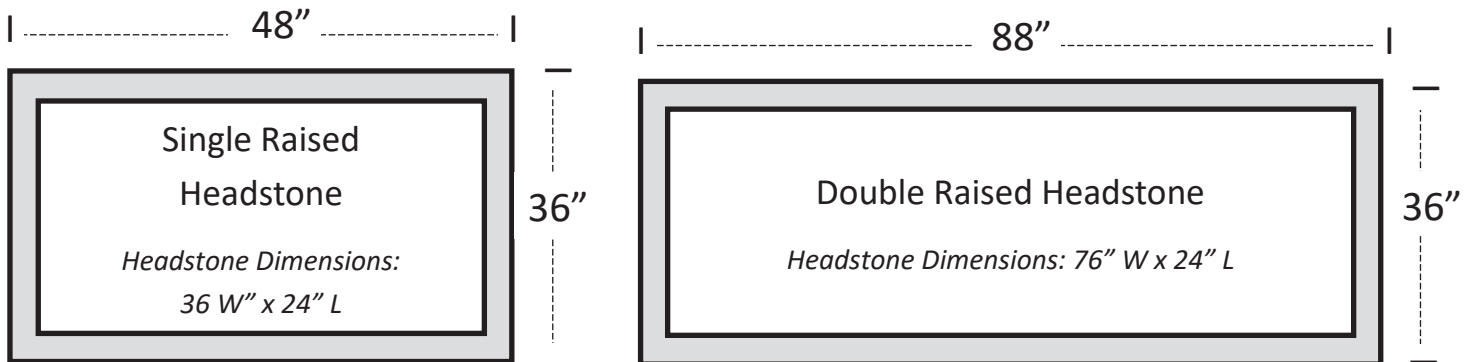
Raised Headstones



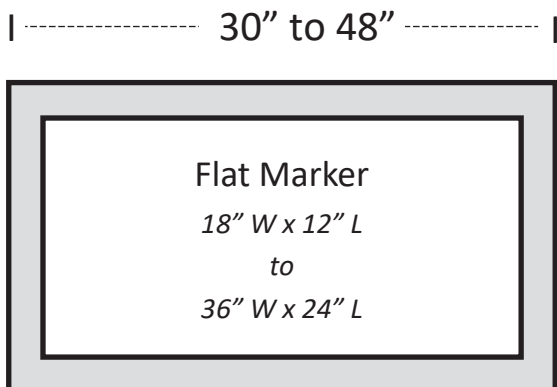
Base/Border

All headstones and monuments must have a stone or concrete base/border.

Borders must extend 6 inches on all sides of the headstone/marker with a minimum depth of 4 inches.



Flat Markers



Angel Garden Markers

Only Flat Markers are permitted in the Angel Garden.

