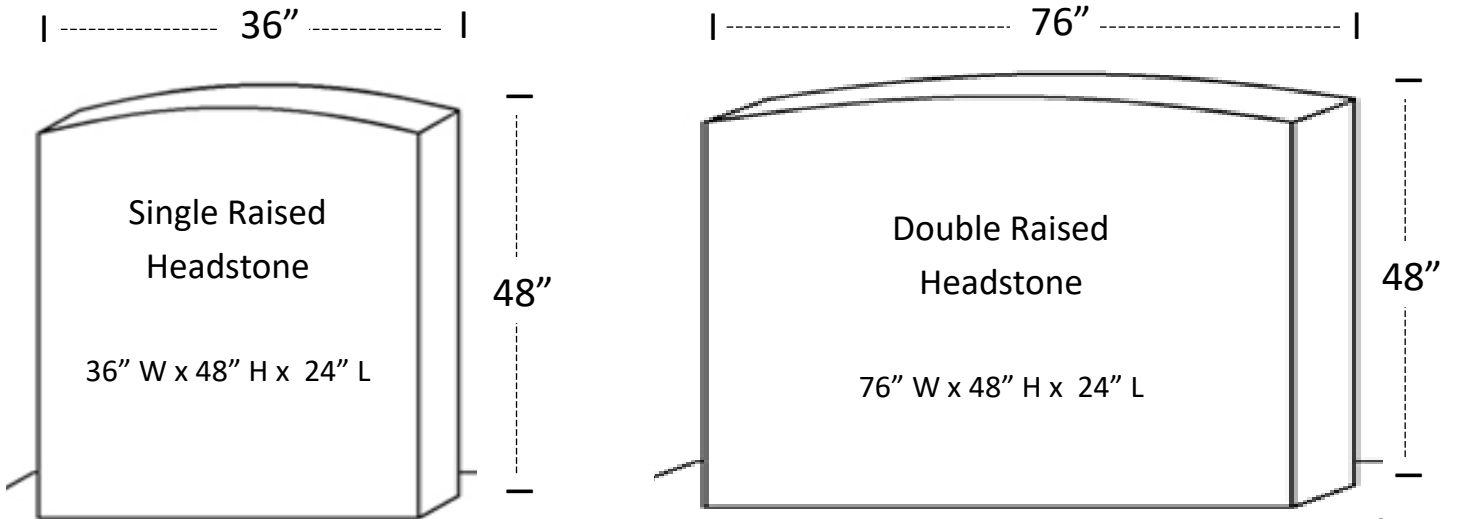


Headstone Specifications

Headstones must be installed by a professional installer. Please have the monument company contact the Eagle Mountain City Recorder's Office at 801.789.6611. A \$35 headstone inspection fee is required.

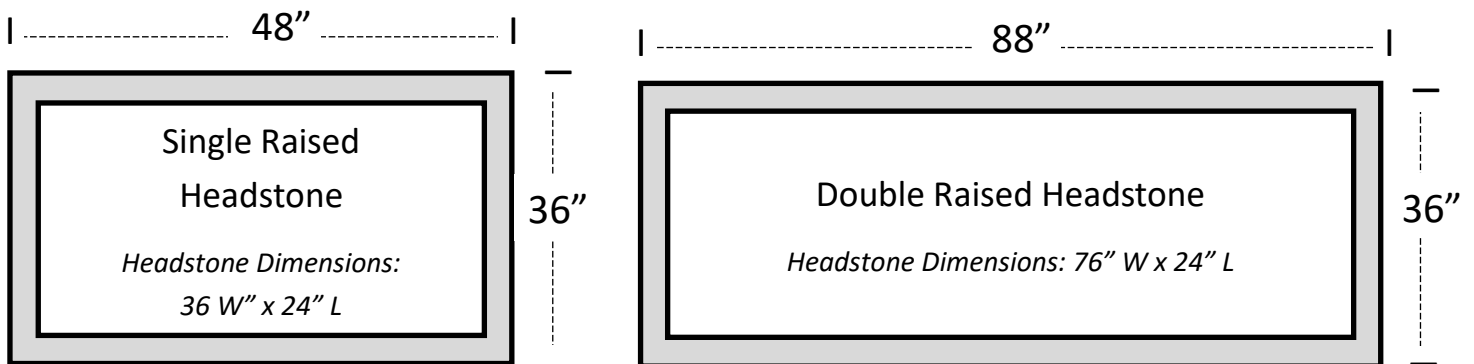
Raised Headstones



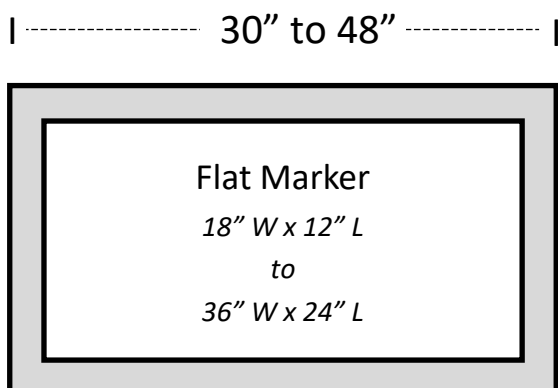
Base/Border

All headstones and monuments must have a stone or concrete base/border.

Borders must extend 6 inches on all sides of the headstone/marker with a minimum depth of 4 inches.



Flat Markers



Angel Garden Markers

Only Flat Markers are permitted in the Angel Garden.