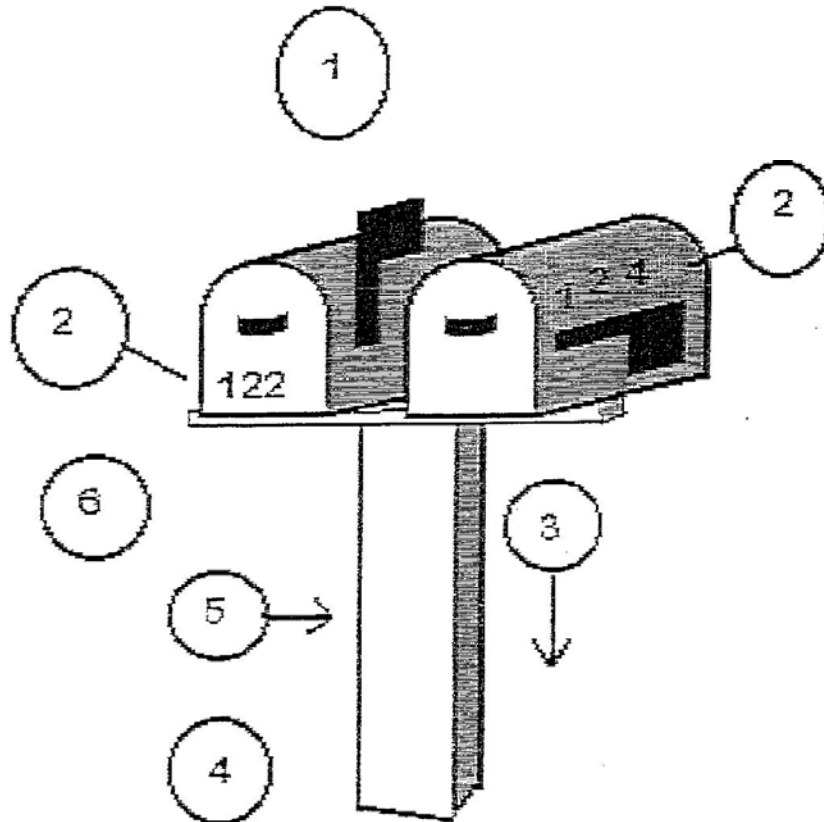


BEFORE YOU ERECT A MAIL BOX, CONTACT YOUR LOCAL POST OFFICE



1. Raising the flag will tell the carrier you have mail to be collected.
2. Address lettering should be one inch high and on the side visible to the carrier as he approaches or on the front if not visible from the side. Name is optional, but helpful.
3. Height of mail box should be 42 inches from the ground to the bottom of the box.
4. Box must be at the curbside at a spot designated by the local Post Office. Please call the Postmaster.
5. Box support should be sufficiently strong to support the box.
6. Two or more mailboxes placed together should not be more than 6 inches apart.

All mailbox locations must be specified by the Post Office. Please call your Post Office before erecting a mailbox. Please keep the approach to, and the exit from your mail box clear of garbage cans, automobiles, snow, etc. Please keep trees and bushes trimmed so the postal vehicle can not get damaged while delivering your mail.

For their safety, please keep children away from the mail box and the postal vehicle.